

**Argo 8x8**  
*RESPONSE*



# **ARGO**

## **RESPONSE**

### **PARTS MANUAL**

From Serial # ...25965

# Foreword

ODG has prepared this parts manual for the RESPONSE model to assist both qualified mechanics and vehicle owners in ordering correct, quality replacement ARGO parts. For the most current parts manual visit our website at [www.argoatv.com](http://www.argoatv.com).

Proper and regular service, and replacing old, worn or broken parts with the correct ARGO replacement parts, are both essential to prolonging the life of the ARGO. Please refer to this parts manual and/or our website [www.argoatv.com](http://www.argoatv.com) before ordering any replacement part.

All information contained in this RESPONSE Parts Manual is based on the latest product specification available at time of printing. If your RESPONSE differs from the specifications contained in this manual, check our website [www.argoatv.com](http://www.argoatv.com) for the most current information.

ODG reserves the right to alter specifications on the RESPONSE model at any time, without obligation or prior notification.

Reproduction of this RESPONSE Parts Manual, in whole or in part, is prohibited without prior written permission from Ontario Drive & Gear Limited.

## Vehicle Identification

**RESPONSE** - Serial Nos. ...25274

## Explanation of Parts Manual Format

- |                    |  |
|--------------------|--|
| <b>Ref</b>         | - Reference number between assembly diagram and component parts list |
| <b>Part No.</b>    | - Argo replacement part number for identification and re-ordering    |
| <b>Description</b> | - Part description for identification and re-ordering                |
| <b>Qty</b>         | - Indicates the quantity of a part used in an Assembly               |

# Argo 8x8 RESPONSE

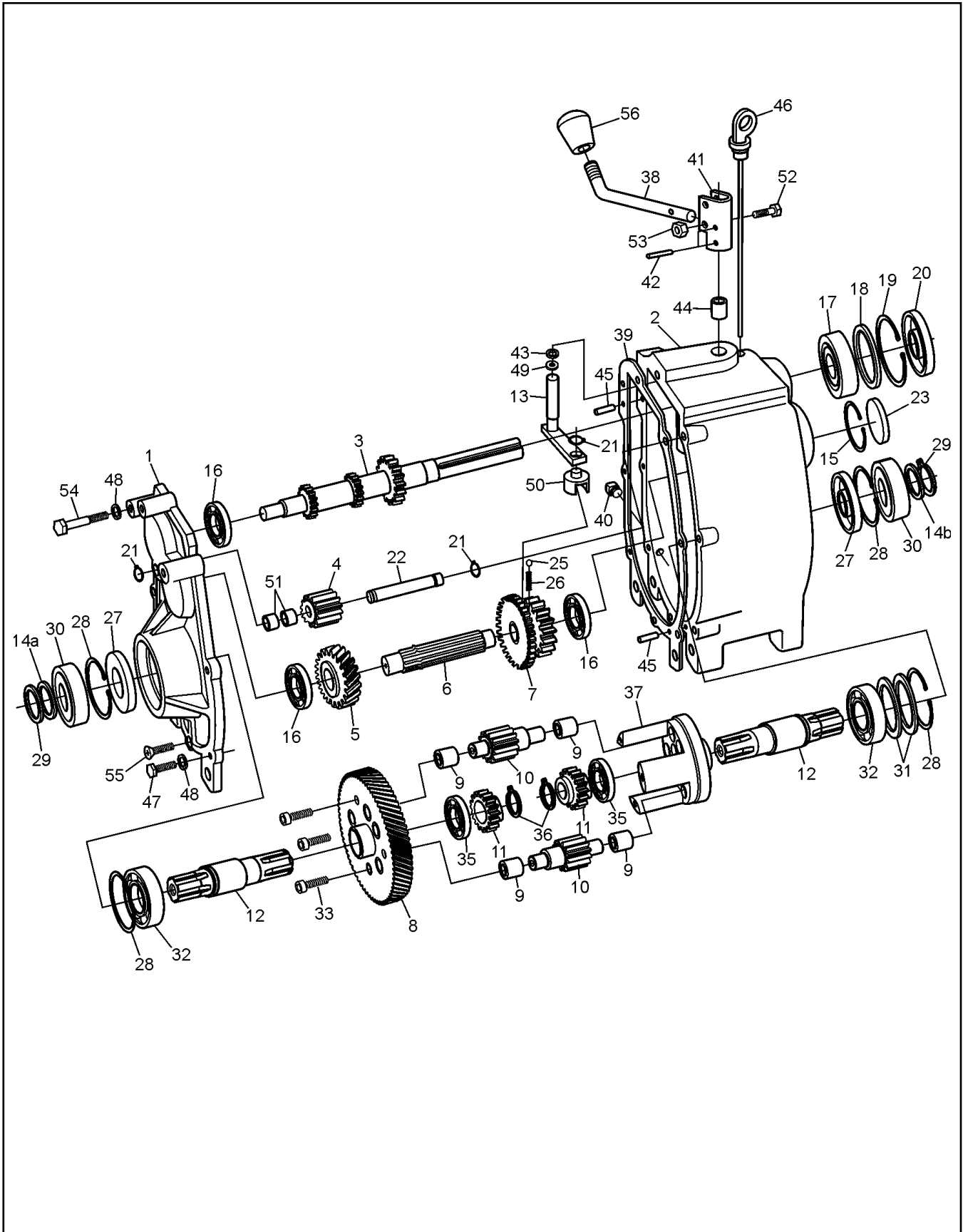


## Using the Parts Manual

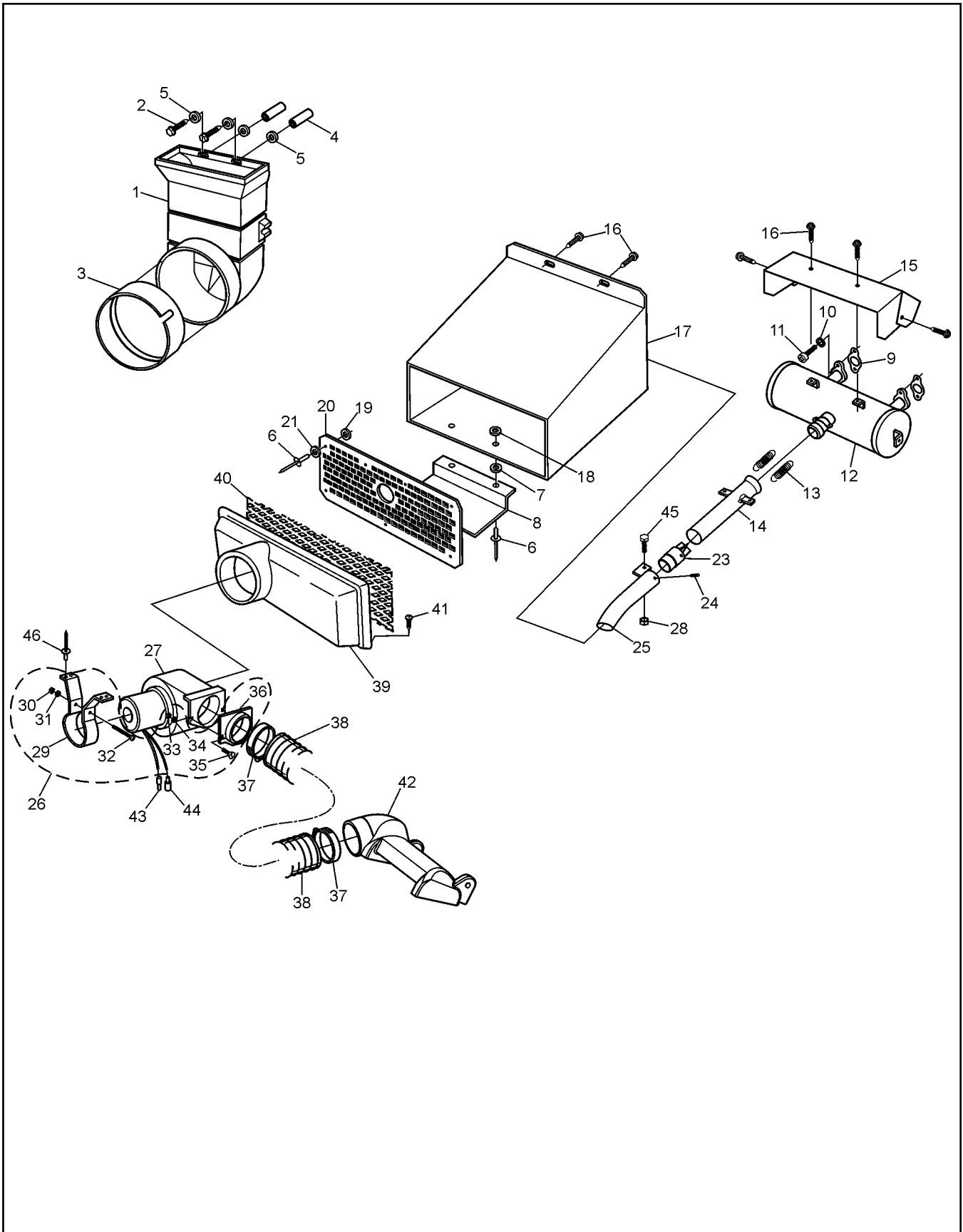
1. Find the major vehicle assembly in the Table of Contents on this page, and turn to that section.
2. Locate the part in the illustration that you wish to order.
3. Refer to the parts list in that section.
4. Find the correct part number (Part No.), part description (Description) and correct quantity (Qty).
5. Use *only* this information to order ARGO replacement parts. **DO NOT** attempt to order a replacement part by reference number or page number.

## Table of Contents

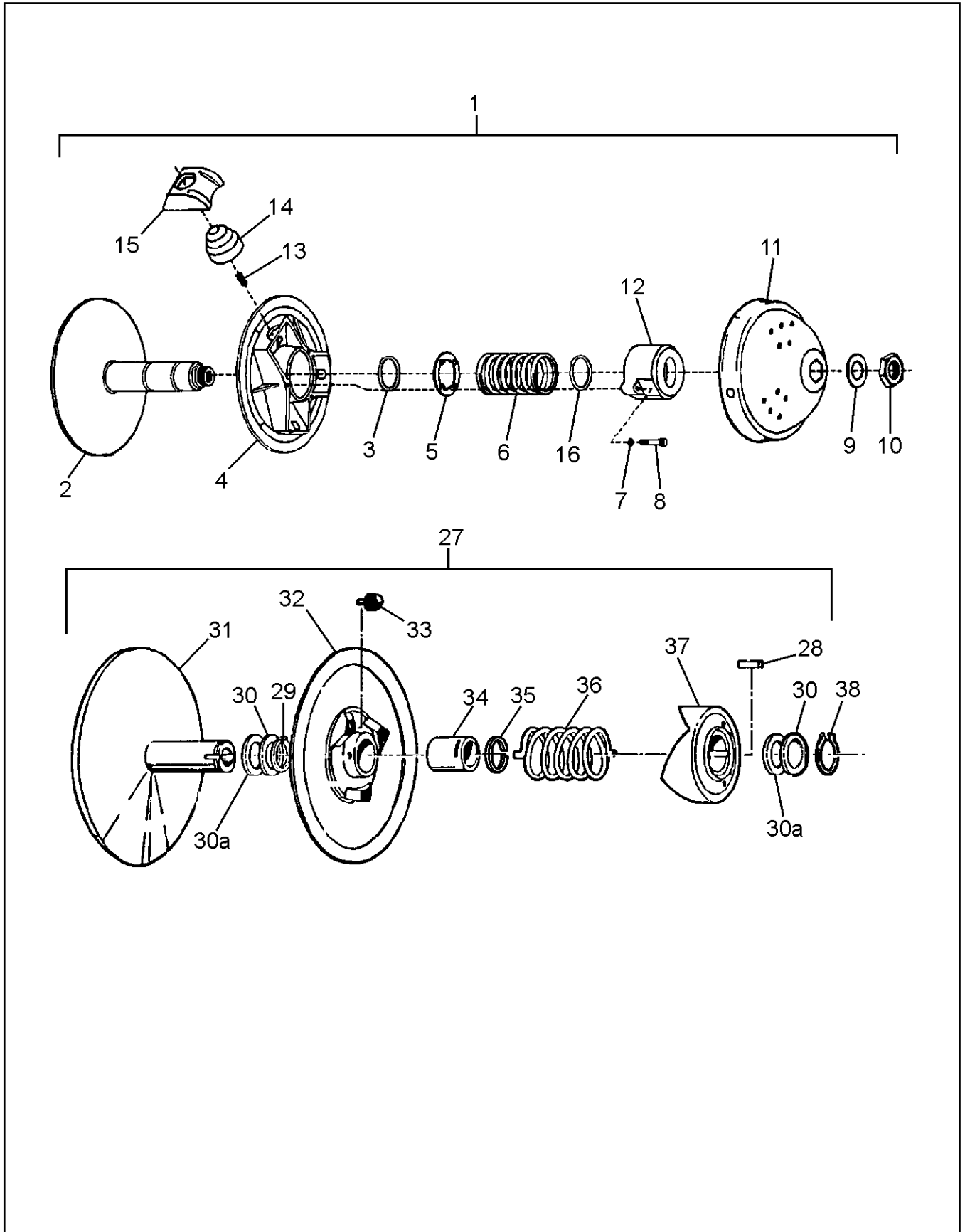
Foreword .....	i
Model Identification.....	i
Using the Parts Manual .....	ii
1.0 Transmission .....	1
2.0 Intake and Exhaust System.....	3
3.0 Clutch System .....	5
4.0 Power Pack Assembly .....	7
5.0 Steering & Brake System .....	9
6.0 CE Kit - 848-65 .....	11
7.0 Vehicle Body & Firewall .....	13
8.0 Frame & Drive System .....	15
9.0 Fuel System & Seat Assembly .....	17
10.0 Electrical System .....	19



Ref.	Qty.	Part #	Description
.	1	610-18M	Transmission Asm - M, does not include Refs 38, 52, 53 & 56
1	1	34-68	Cover, Transmission
2	1	34-99	Housing, Transmission
3	1	34-21	Shaft, Input - 13/21T
4	1	34-16A	Gear, Idler 13T (incl. Ref. 51)
5	1	34-95	Gear, Helical - 24T (M)
6	1	34-94	Shaft, Spline
7	1	34-91	Gear, Double - 26/33T
8	1	34-22	Gear Plate - 73T (M)
9	12	105-03	Bushing, Oilite 1/2 x 3/4
10	6	34-13	Gear, Planet - 12T
11	2	34-14	Gear, Sun - 21T
12	2	34-98	Shaft, Output
13	1	34-65	Shifter Asm
14a	1	114-04	Washer, Shim .040 Thk
14b	1	114-05	Washer, Shim .020 Thk
15	1	106-01	Retaining Ring
16	3	101-01	Bearing, Ball 6204Z-C3
17	1	101-16	Bearing, Ball 6206-C3
18	as req.	114-02	Washer, Shim 2.06x2.42x.02
19	1	106-05	Retaining Ring
20	1	102-05	Seal, Oil WBS 30x62x10
21	3	107-05	Retaining Ring
22	1	34-11	Pin, Dowel 1/2 x 3.50
23	1	31-07	Plug Plate
25	1	109-05	Ball, Steel 6mm 62-67 Rc
26	1	34-32	Spring, Compression - 7/32 x 0.50
27	2	102-03	Seal, Oil WBS 30x72x10
28	4	106-03	Retaining Ring
29	2	107-02	Retaining Ring
30	2	101-05	Bearing, Ball 6306-2NSE C3
31	2	114-01	Washer, Shim 2.25x2.81x.02
32	2	101-03	Bearing, Ball 6207-C3
33	3	103-04	SHCS 5/16-18 x 1.0 Bare
35	2	101-15	Bearing, Ball 6005-C3
36	2	107-04	Retaining Ring
37	1	34-08	Cage
38	1	610-77	Lever, Shift
39	1	34-47	Gasket, Cover - 1/64" Thk
40	1	103-02	Plug, Magnetic 3/8 - 18 NPT Sq. Hd.
41	1	34-86	Holder, Shift Lever
42	2	111-01	Pin, Spring 5/32 x 1.00 - Slotted
43	1	113-01	O-Ring
44	1	105-02	Bushing, Oilite 1/2x 1.0
45	2	104-03	Pin, Dowel 1/4 x 7/8" long
46	1	34-77	Dipstick - with Breather
47	4	103-06	HHCS 5/16-18x1.0 GR5 Zn
48	7	108-05	Lockwasher 5/16 Zinc
49	1	108-74	Washer .64 x .875 x .10 Zn
50	1	34-63	Shift Yoke
51	2	101-79	Bearing, Drawn Cup Needle
52	1	103-97	HHCS 1/4-20x1.25 GR5 Zn
53	1	117-27	Locknut, Nylon 1/4-20 Zn
54			<b>See Section 4.0 Power Pack Assembly</b>
55	1	103-95	FHSC 5/16-18x1.0 GR8 Zn
56	1	126-38	Knob, Shift

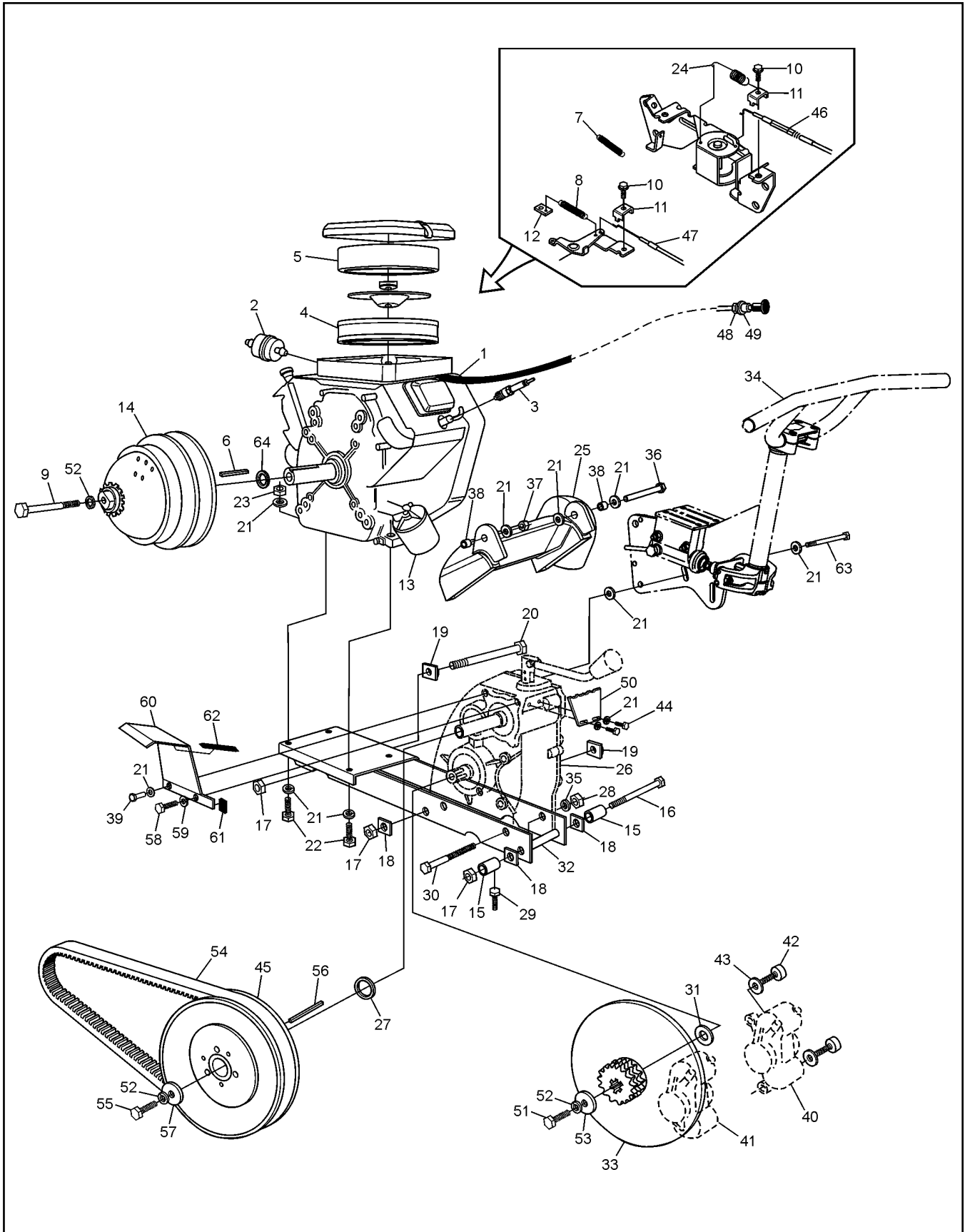


Ref.	Qty.	Part #	Description
1	1	603-97	Duct, Engine Cooling Fan
2	2	112-48	Screw, T/S HH#14x2.25 Zn
3	1	603-82	Seal
4	2	120-29	Spacer, .26 ID x 1.12 LG
5	4	108-08	Washer, .28 x .62 x .04 Zn
6	2	120-13	Rivet 3/16 x 5/8 - Black
7	2	125-58	Washer, Fibre - W-77F
8	1	707-28	Support, Exhaust Duct
9	2	805024	Gasket
10	4	108-02	Lockwasher 5/16 Hi-Collar Bare
11	4	112-30	SHCS M8x1,25x20mm Zn
12	1	807-90	Muffler, B&S V-Twin Weld Ass'y
13	2	126-57	Spring, Extension- 7/16x2.14
14	1	807-92	Pipe, Mufflertail - B&S
15	1	807-85	Shield, Muffler Heat
16	6	112-19	Screw, IHWH T/C Slot 1/4-20x1/2
17	1	707-32	Duct, Exhaust
18	2	120-04	Washer .19x.50x.08 Zn
19	7	120-05	Washer .19x.50x.04 Zn
20	1	707-31P	Screen, Exhaust
21	7	125-59	Washer, Fibre -.062x.25x.50
23	1	807-67	Spark Arrester
24	1	112-43	Screw, IHWH #8x3/8
25	1	807-89	Tube, Tailpipe Outlet
26	1	125-92	Adpt. & Mounting Kit - Fan (incl. Refs 29 to 36)
27	1	125-91	Blower Fan
28	1	117-81	Locknut, 2-way 1/4-20 Zn
29	1		Mounting Bracket
30	1		Nut, #10-32
31	1	See	Lockwasher, 3/16"
32	1	125-92	Screw, #10-32 x 2"
33	4	Above	Nut, 1/4-20
34	4		Lockwasher, 1/4"
35	4		Screw, 1/4-20 x 5/8"
36	1		Adaptor, 3" Dia.
37	2	125-35	Clamp, Gear 3.50" HF-52
38	1	127-44	Hose, Intake 3" dia. x 46"
39	1	601-89	Intake Flange (specify colour)
40	1	126-61	Intake Screen
41	4	112-56	Pan HD Phil T/S #10x3/4 A Zn
42	1	128-01	Duct, Brake Cooling
43	1	118-02	Terminal, Male #76-1251
44	1	118-03	Terminal, Female#76-1289
45	1	112-04	HHCS, 1/4-20 x 3/4 Gr2 Zn
46	4	120-09	Rivet 3/16 x 5/8 - Black





Ref.	Qty.	Part #	Description
1	1	127-73	Clutch, Driver, keyed incl. Refs 2-15, 0040-0063
2	1	0405-0043	Pulley, Fixed half
3	1	V08	Ring, Retaining D1400-350
4	1	0410-0007	Pulley, Sliding half
5	1	V09	Washer, Spring Guide
6	1	V10-48-103-18	Spring
7	3	0080-0167	Lockwasher
8	3	222-9640-66	SHCS
9	1	0080-0153	Washer
10	1	0080-0100	Nut
11	1	0115-0003(A)	Cap
12	1	0440-0002	Cover, Spring
13	3	C24-L1	Spring, Anti-Noise
14	3	C13-225	Weight - 225 g
15	3	0130-3002	Block, Red
16	1	V08C	Spring Ring
27	1	127-129	Clutch, Driven - Model "B" incl. Refs 28-37 5100-0164
28	1	ASK-5	Key 1/4 x 1/4 x 5/8
29	1	ASR-6	Retaining Ring N1400-150A
30	as req	ASA-1-S	Spacer .025" Thick
30a	as req	ASA-1	Spacer .050" Thick
31	1	AFK25.4-250OD01	Pulley, Half - Fixed
32	1	5110-0021	Pulley, Half - Sliding incl. Refs. 33, 34
33	3	ANS-2-T	Shoe, Cam
34	1	5040-3003	Bushing, Super Oilite
35	1	0080-0215	Clip, Internal Retaining
36	1	ACS-3-188	Spring, Blue
37	1	AFC-4-C3D4	Cam
38	1	371-9031-000	Retaining Ring



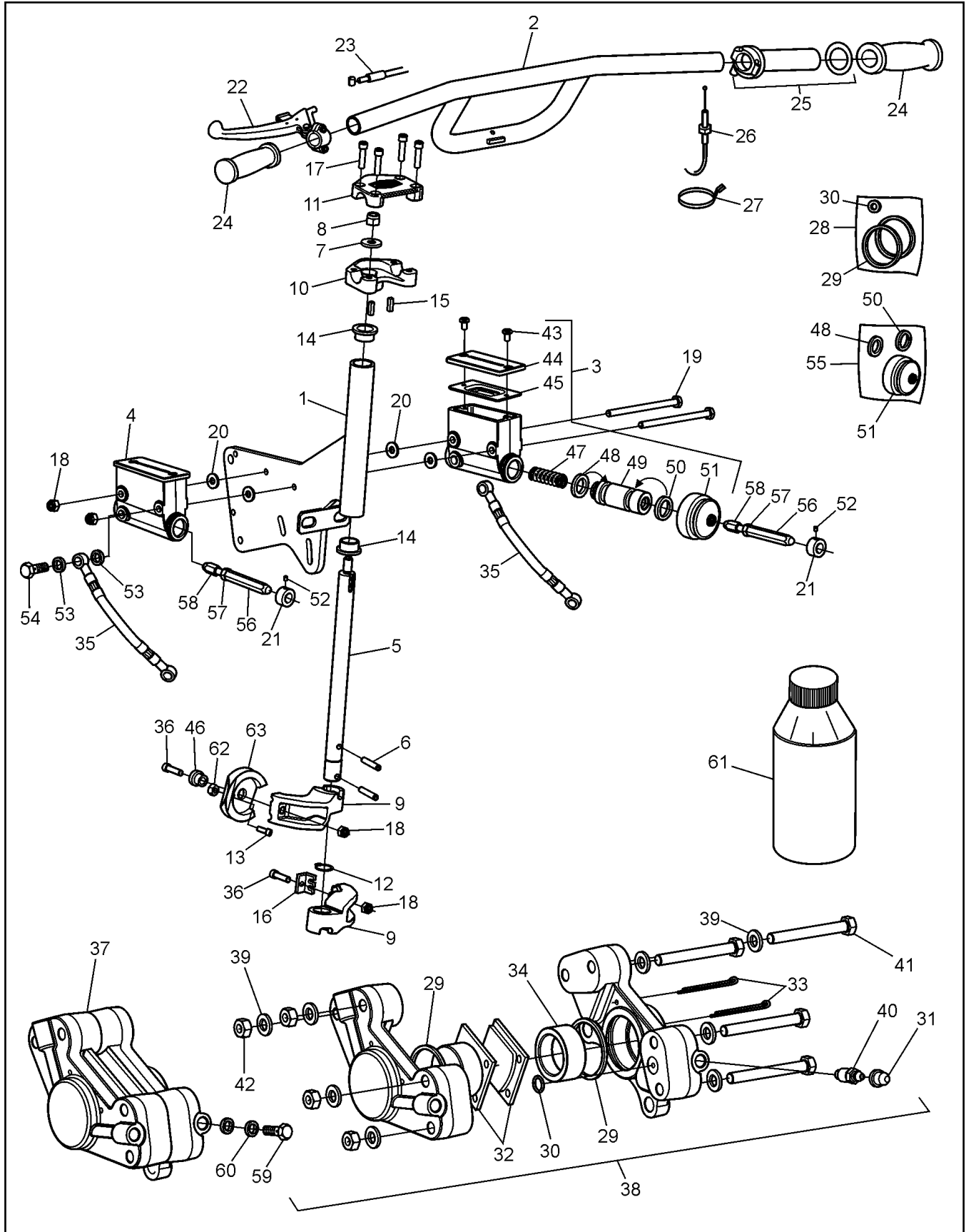
# Response Parts Manual

# 4.0 Power Pack Assembly

Ref.	Qty.	Part #	Description	Ref.	Qty.	Part #	Description
1	1	128-15	Engine-B&S 18HP, 20/50 amp incl. Ref. 2-12, 13 B&S #356447-0165-E1, 24	37	1	117-21	Locknut, Nylon 5/16-18 Zn
2	1	125-64	Fuel Filter, G81-4	38	2	108-71	Spacer, 5/16 ID x 7/16 OD x 13/32 Lg
3	2	126-74	Spark Plug #3926	39	1	103-06	HHCS 5/16-18 x 1.0 Gr5 Zn
4	1	394018	Filter, Air	40to41			<b>See Section 5.0 Steering &amp; Brake System</b>
5	1	272490	Element, Foam	42	4	103-41	SHCS 3/8-16 x 1.25 Zn
6	1	110-03	Key 1/4x3/16x2.375 RC46	43	4	108-23	Washer 3/8 SAE Gr8 - Dich.
7	1	805458	Spring	44	2	112-01	HHCS 5/16-8x3/4 Gr5 Zn
8	1	125-88	Spring, Return	45			<b>See Section 3.0 Clutch System</b>
9	1	112-28	HHCS 3/8-24x4.5 Gr5 Zn	46	1	612-101	Cable Asm, Throttle
10	1	805169	Screw-Hex Head (Briggs #)	47	1	612-92	Cable Asm, Choke
11	1	221535	Clamp - Casing (Briggs #)	48	2	117-68	Nut, Jam 3/8-24 UNF Zn
12	1	601-86	Clip, Retainer	49	1	108-32	Lockwasher 3/8 Int. Tooth
13	1	126-95	Filter, Oil	50	1	610-81	Shift Gate, Transmission
14			<b>See Section 3.0 Clutch System</b>	51	2	103-18	HHCS 3/8-24x1.25 Gr5 Zn
15	2	811-14	Spacer	52	4	108-06	Lockwasher 3/8 S/R Zn
16	1	112-57	HHCS 5/8-11x10.0 Gr5 Zn	53	2	108-18	Washer 13/32x1.375x11GA
17	3	117-83	Locknut, Stover 5/8-11 Zn	54	1	125-56	Drive Belt
18	3	811-09	Washer, Square Lock .64 ID	55	1	103-34	HHCS 3/8-16x1.25 Gr5 Zn
19	2	811-15	Washer, Square Lock .64 ID	56	1	110-09	Key 1/4 x 1/4 x 3.0
20	2	112-58	HHCS 5/8-11x7.5 Gr5 Zn	57	1	108-46	Washer .40 x 1.37 x .12 Hi- Carbon
21	16	108-24	Washer .34 x .70 x .06 Zn	58	2	103-17	HHCS 3/8-16x1.0 Gr5 Zn
22	4	112-27	HHCS 5/16-18x1.75 Gr5 Zn	59	2	108-26	Washer 3/8 Zn
23	4	117-21	Locknut, Nylon 5/16-18 Zn	60	1	603-29	Guard, Belt Protect
24	1	127-49	Spring, Return	61	1	601-92	Trim, Vinyl - 1.5"
25	1	128-01	<b>See Section 2.0 Intake &amp; Exhaust System</b>	62	1	601-93	Trim, Vinyl - 4.25"
26			<b>See Section 1.0 Transmission</b>	63	2	103-55	HHCS 5/16-18x2.75 Gr5 Zn
27	as req	108-36	Washer .06x1.00x1.375 Zn	64	1	114-04	Washer, Shim 1.19 x 1.50 x .04
28	2	117-06	Nut, Fin Hex 1/2-13 Zn				
29	2	103-53	HHCS 3/8-16x3.0 Full Thread				
30	2	103-20	HHCS 1/2-13x6.5 Gr5 Zn				
31	as req	108-75	Washer, Shim 1" id x .5 x .010 - right hand disc only				
32	1	611-71	Frame, Power Pack				
33	2	610-80	Brake Disc - #50-2 x 13T				
34			<b>See Section 5.0 Steering &amp; Brake System</b>				
35	2	108-07	Lockwasher 1/2 Split Ring, Zn				
36	1	112-132	HHCS 5/16-18 x 3.25 Gr5 Zn				

# 5.0 Steering & Brake System

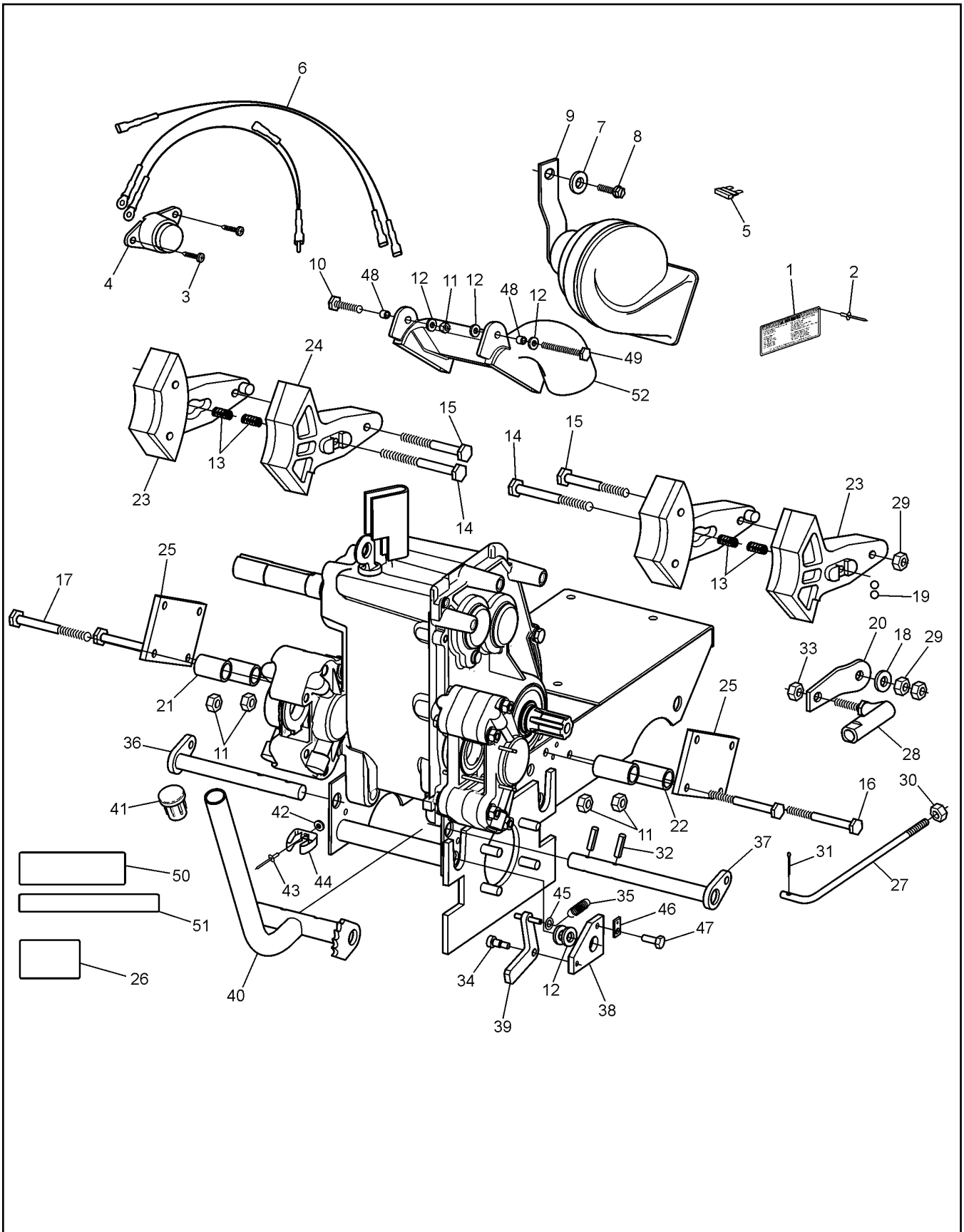
# Response Parts Manual



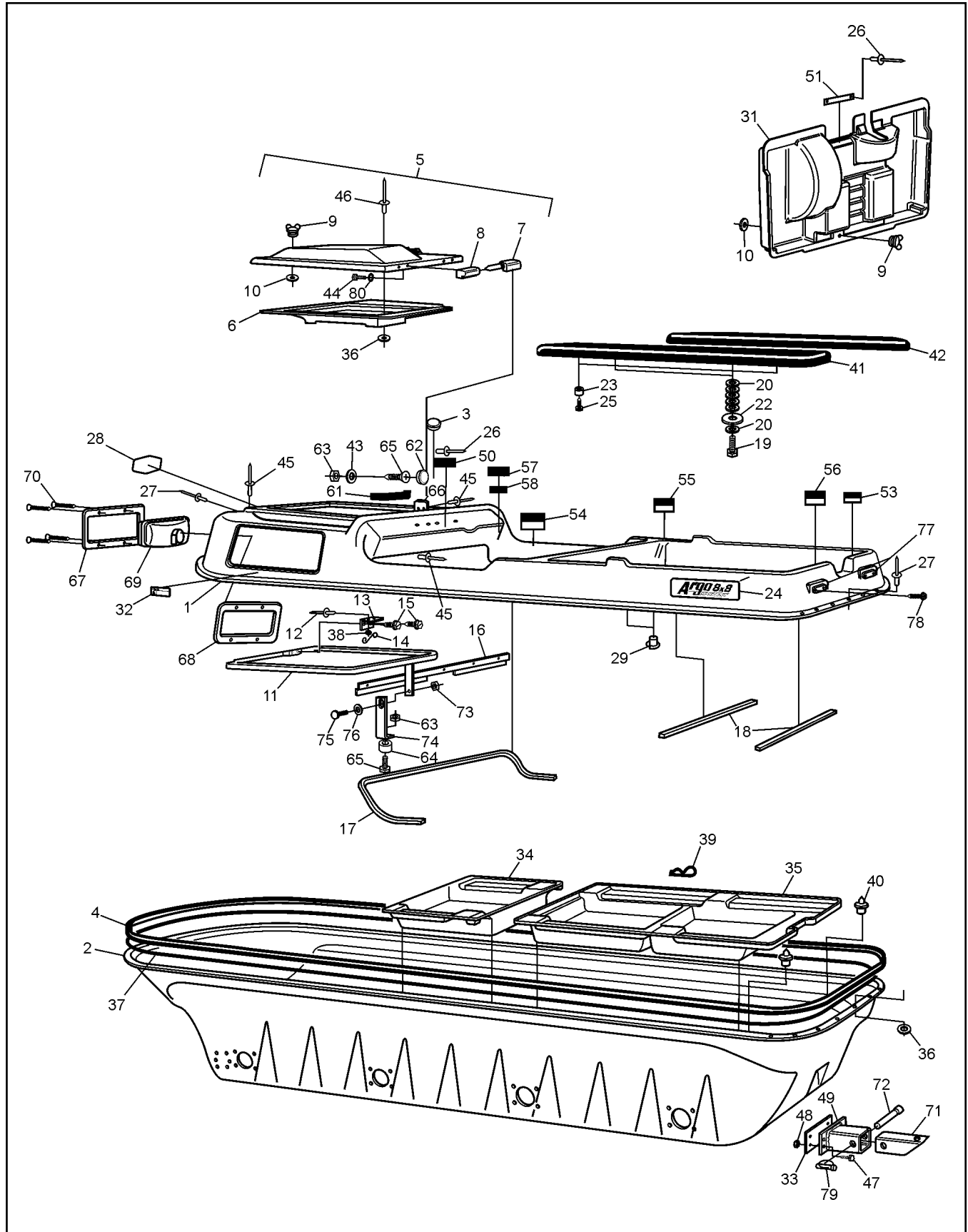
# Response Parts Manual

# 5.0 Steering & Brake System

Ref.	Qty.	Part #	Description	Ref.	Qty.	Part #	Description
1	1	612-117	Frame Assembly, Steering Column	39	2x8	108-24	Washer, .34x.70x.06 Zn
2	1	612-107	Handlebar Assembly	40	2x1	168-02	Screw, Bleeding, Knott Caliper
3	1	165-08	Master Cylinder, Grimeca - R	41	2x4	112-154	SHCS 5/16-18 x 2.75 Zn
4	1	165-07	Master Cylinder, Grimeca - L	42	2x4	117-03	Nut, Fin Hex 5/16-18 Zn
5	1	612-127	Shaft, Steering - Argo	43	2x2	160-42	FHMS M5 x 0,8 x 6mm
6	2	104-07	Pin, Spring 1/4 x 1.25	44	2x1	168-08	Cover
7	1	108-47	Washer, .39 x .94 x .13 Zn Di-chr	45	2x1	168-09	Cover, Rubber
8	1	117-29	Locknut, Nylon 3/8-16 Zn	46	1	105-25	Bushing, Flange Oilite FF-310
9	2	612-124	Arm, Steering	47	2x1	162-08	Spring, Comp. 17.3 x 49.3mm
10	1	612-106	Clamp, Lower Handlebar	48	2x1		Seal, Primary, 19mm (See Ref. 55)
11	1	612-105	Clamp, Upper Handlebar	49	2x1	168-10	Piston 19mm dia.
12	1	106-07	Ring, Retaining SH-0075PA	50	2x1		Seal, Secondary, 19mm (See Ref. 55)
13	1	160-46	SHCS, #10-24 x 3/8"	51	2x1		Boot, Rubber (See Ref. 55)
14	2	105-16	Bushing, Oilite - 3/4 x 1/2	52	2	112-02	SHSS 10-24x1/4 Knurl Cup PT, PL
15	2	110-17	Key, 3/16 x 3/16 x .625	53	2x2	160-01	Washer, Copper 2.3 x 10.0 x 16.0
16	1	128-24	Retainer, Handbrake Cable	54	2x1	160-44	Bolt, Banjo M10 x 1,0 x 21,0 Zn
17	4	112-47	SHCS, 1/4-20 x 1.0 Zn	55	2x1	161-25	O-Ring Kit, Master Cylinder - Grimeca (incl. Ref. 48, 50 & 51)
18	4	117-27	Locknut, Nylon 1/4-20 Zn	56	2	812-30	Pin, Female
19	2	103-66	HHCS, 1/4-20 x 4.0 Gr5 Zn	57	2	117-03	Nut, Fin Hex 1/4-20 Zn
20	4	108-08	Washer, .28 x .62 x .04 Zn	58	2	812-31	Fin, Male
21	2	812-17	Collar	59	2	160-45	Bolt, Banjo
22	1	128-17	Lever Assembly, Handbrake, Spring	60	4	160-04	Washer, Copper - 2,3 x 10,0 x 16,0
23	1	128-22	Cable Assembly, Handbrake	61		126-19	Fluid, Brake-Silicon Dot 5 - .35L
24	2	127-35	Grip, Molded	62	1	117-10	Locknut, 10-24 N/I Zn
25	1	127-81	Throttle Twist Grip	63	1	165-19	Pulley, Handbrake Cable
26	1	612-101	Cable Asm., Throttle				
27	1	100-64	Tie Wrap - 5.5"- Black				
28	2	161-05	O-Ring Kit, Knott Caliper				
29	2		Seal, Piston				
30	2		Seal, Rubber				
31	2x1	168-20	Plug, Rubber				
32	1	170-03	Pad Set (4), Brake - Non-Asbestos				
33	2x2	168-07	Pin, Cotter 1/8 x 3.00 Zn				
34	2x2	168-01	Piston, Knott Caliper				
35	2x1	163-01	Hose Asm, Hydraulic-310mm				
36	2	112-159	BHCS, 1/4-20 x 1.0, Plated				
37	1	166-10	Caliper, Hydraulic Brake - L, w/o pads				
38	1	166-11	Caliper, Hydraulic Brake - R, w/o pads				



Ref.	Qty.	Part #	Description
1	1	127-76	Plate, Capacity-Land/Water
2	4	120-24	Rivet, Alum. 3/32x3/8
3	2	112-56	T/S Pan HD Phil #10x3/4 A Zn
4	1	848-86	Button, Horn
5	1	118-52	Fuse, 10A 2-Prong (ATO10)
6	1	848-88	Wire Harness, Horn
7	1	108-08	Washer .28x.62x.04 Zn
8	1	112-19	Screw, IHWH T/C Slot 1/4-20x1/2
9	1	848-87	Horn, Electric
10	1	103-06	HHCS 5/16-18x1.0 Gr5 Zn
11	5	117-21	Locknut, Nylon 5/16-18 Zn
12	6	108-24	Washer .34x.70x.06 Zn
13	4	100-10	Spring, Comp. 0.53x0.88
14	2	103-16	HHCS 5/16-24x3.75 Gr8 Zn
15	2	103-29	HHCS 5/16-24x2.75 Gr8 Zn
16	2	103-55	HHCS 5/16-18x2.75 Gr5 Zn
17	2	103-84	HHCS 5/16-18x2.25 Gr5 Zn
18	2	108-12	Washer .34x1.00x.06 Zn
19	4	109-02	Ball, Steel 1/4 Chrome steel
20	2	848-75	Cam, Parking Brake
21	2	848-77	Spacer, Left
22	2	848-78	Spacer, Right
23	3	848-79	Caliper, Parking Brake
24	1	848-80	Caliper, Parking Brake - Notch
25	2	848-82	Bracket, Caliper
26	1	848-89	Shim - used to set up CE Brake
27	2	848-93	Rod, Parking/Emergency Brake
28	2	848-76	Ball Joint, 5/16-24
29	8	117-46	Locknut, 2-Way 5/16-24 Zn
30	2	117-17	Nut, Jam 5/16-24 Zn
31	2	100-03	Pin, Cotter 3/32x.750 Zn
32	4	111-07	Pin, Roll .250 DIA. x .88 Lg.
33	2	117-04	Locknut, Nylon 5/16-24 Zn
34	1	112-141	Screw, Shoulder 5/16 x 3/8 Lg.
35	1	125-88	Spring, Extension - 0.4 x 1.7
36	1	848-92	Shaft ASM, Left
37	1	848-105	Shaft ASM, Right Brake
38	1	848-104	Plate, Mtg - Lock Lever
39	1	848-102	Lever Asm - Lock
40	1	848-100	Lever ASM, Parking Brake
41	1	639-25	Plug, End - Black
42	1	120-04	Washer .19x.50x.08 Zn
43	1	120-13	Rivet - 3/16x5/8 Black
44	1	848-81	Clip, Coated
45	1	106-21	Retaining Ring TY-18ST PD
46	1	601-86	Clip, Retainer
47	1	103-72	Screw, IHWH T/C Slot 1/4-20x3/4
48	2	108-71	Spacer 5/16 IDx7/16 ODx13/32 Lg.
49	1	112-132	HHCS 5/16-18x3.25 Gr5 Zn
50	1	127-130	Label Stock - 2.75" Wide
51	1	127-133	Plate, Serial Number - Blank - Must be stamped with vehicle serial # provided by owner
52	1	128-01	Duct, Brake Cooling



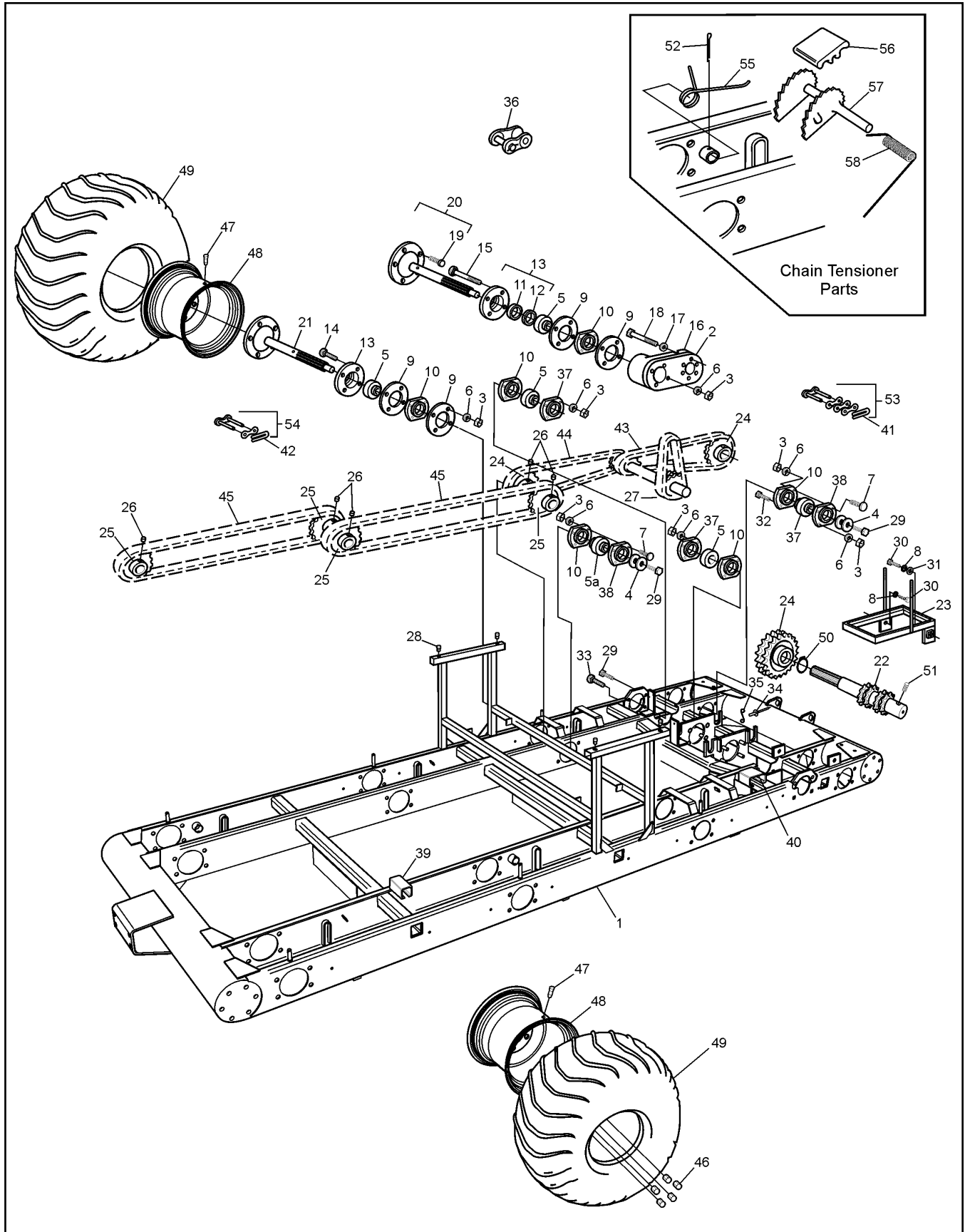


# Response Parts Manual

# 7.0 Vehicle Body & Firewall

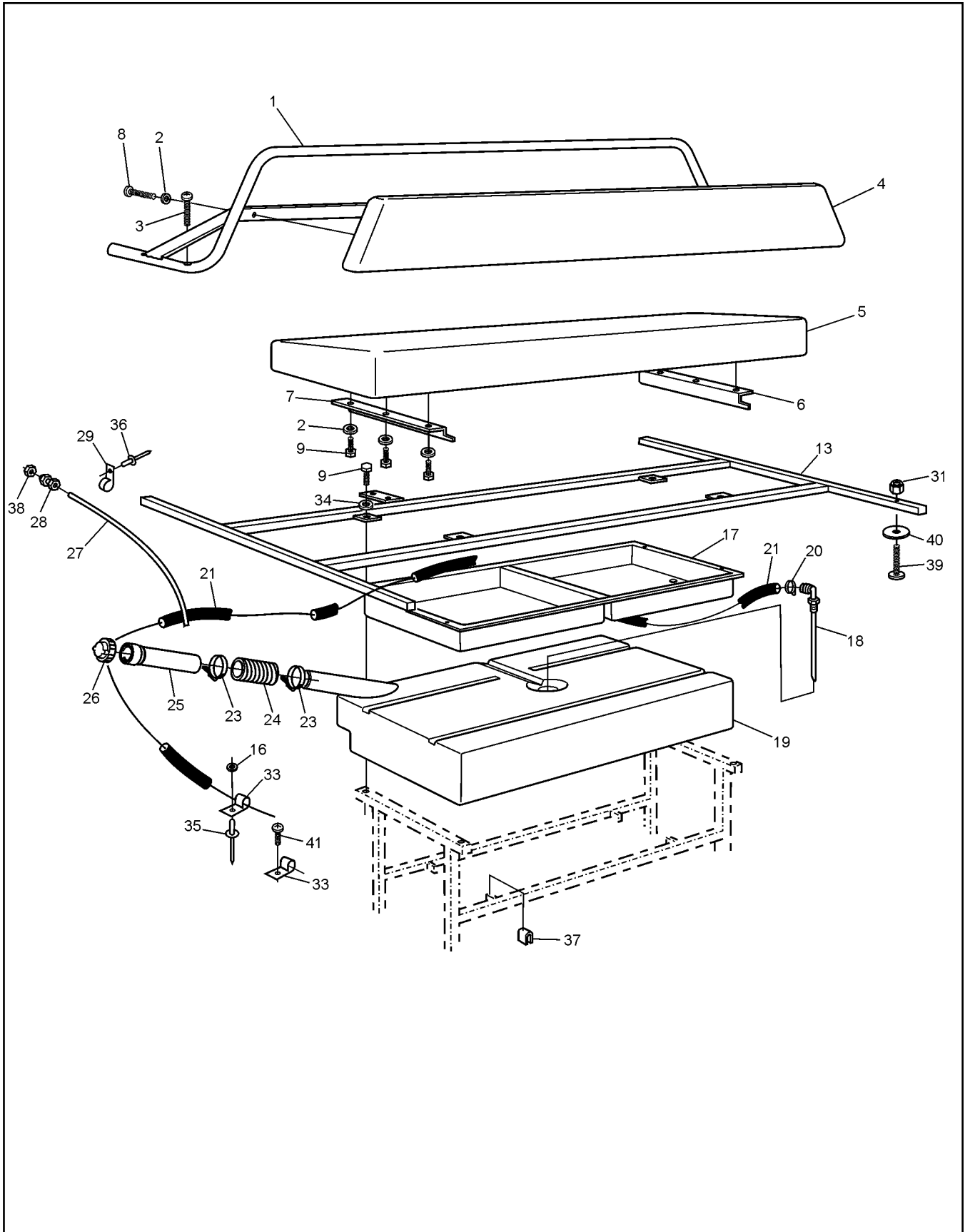
Ref.	Qty.	Part #	Description
1	1	801-44	Body & Hood, Upper-Response Replacement, specify colour (incl. Ref 5, 11 to 15 & 38)
2	1	801-45BL	Body, Lower - Response, Black
3	1	127-28	Plug, Nylon - Black
4	1	801-05	Bumper, Vinyl - 8x8
5	1	602-37	Hood Kit - Response, (specify colour) (incl. Ref 6 to 10,36,44, 46 and 83)
6	1	801-47	Duct, Intake Transition (specify colour)
7	2	127-45A	Pin, Hinge
8	2	127-45B	Knuckle, Hinge
9	2	126-10	Wing Stud
10	2	126-09	Grommet, Alum. #GH-7
11	1	602-24	Hood Frame Assembly
12	2	120-15	Rivet 1/8 x 7/16
13	1	601-69	Spring Plate
14	1	126-11	Spring
15	2	112-19	Screw, IHWH T/C Slot 1/4-20x 1/2
16	1	602-29	Brace, Dash
17	1	601-08	Vinyl Trim, 84"
18	2	601-09	Vinyl Trim, 28"
19	4	103-08	HHCS 1/4-20 x 1.0 Zn
20	20	108-25	Washer 1/4 Zn
22	4	603-15	Washer, Plastic 5/16 Hole
23	4	126-79	Bumper, Plastic - Black
24	2	127-42	Nameplate, 8x8 Response
25	4	103-48	T/S Pan HD Phil #10 5/8 A Zn
26	42	120-24	Rivet, Alum - 3/32x3/8-all plates
27	85	120-09	Rivet 3/16 x 1
28	1	601-44	Nameplate, ARGO
29	4	117-44	T-Nut 1/4-20 PL
31	1	609-41RM	Firewall, Handle Bar Steering
32	1	127-144	Label, Warning - HOT
33	1	616-20	Gasket, Rear Hitch
34	1	803-02	Floor Pan, Front (specify colour)
35	1	803-03	Floor Pan, Rear (specify colour)
36	85	120-04	Washer .195IDx.50ODx.08 Zn
37	1	126-60	Vinyl Strip 1/2"x1/4"x50'
38	2	120-05	Washer

Ref.	Qty.	Part #	Description
39	6	100-16	Clip, Hitch Pin 1.625 Zn
40	2	100-18	Plug, Drain 5/8x13/32
41	1	801-03	Seat, Rear LH - 8x8
42	1	801-02	Seat, Rear RH - 8x8
43	2	120-05	Washer .195IDx.50ODx.04 Zn
44	8	103-47	HHCS 10-24x1/2 Zn
45	12	120-13	Rivet 3/16 x 5/8
46	10	120-09	Rivet 3/16x1
47	4	103-61	HHCS 3/8-24x1.5 Gr5 Zn
48	4	117-24	Locknut, Nylon 3/8-24 Zn
49	1	616-16	Hitch Assembly
50	1	127-153	Plate, Keyswitch
51	1	127-152	Shifting Plate
53	1	126-67	Floor Pan Plate
54	1	126-68	Operation Plate
55	1	126-69	Fuel Plate
56	1	127-76	Plate, Capacity - Land/Water
57	1	126-64	Vehicle ID Plate
58	1		U.S. Plate, Non U.S. Argos only
61	1	125-41	Dash Handle, incl. 62
62	2		Plug cap, avail. only with 61
63	3	117-10	Locknut, Nylon #10-24 Zn
64	1	126-88	Bumper, Rubber
65	3	103-25	PHMS #10-24x3/4 Zn
66	1	602-38	Clip, Hood
67	2	613-75	Bezel, Headlamp
68	2	613-76	Bracket, Headlight Backing
69			<b>See Section 10.0 Electrical System</b>
70	8	103-24BL	OHPS T/S #6 x 1.0 Black Zn
71	1	616-19	Tube, Hitch - Insert
72	1	104-13	Pin, Top Link
73	1	117-15	Nut, Fin. Hex 3/8-16 Zn
74	1	602-27	Support, Adjustable
75	1	103-89	C/Bolt 3/8-16x3/4 Gr2 Zn
76	1	108-06	Lockwasher 3/8 Zn
77	2	127-01	Reflector, Red
78	4	103-48	T/S Pan HD Phil #10x5/8 A Zn
79	1	104-11	Pin, Lynch
80	8	108-59	Lockwasher #10 Int. Tooth Zn



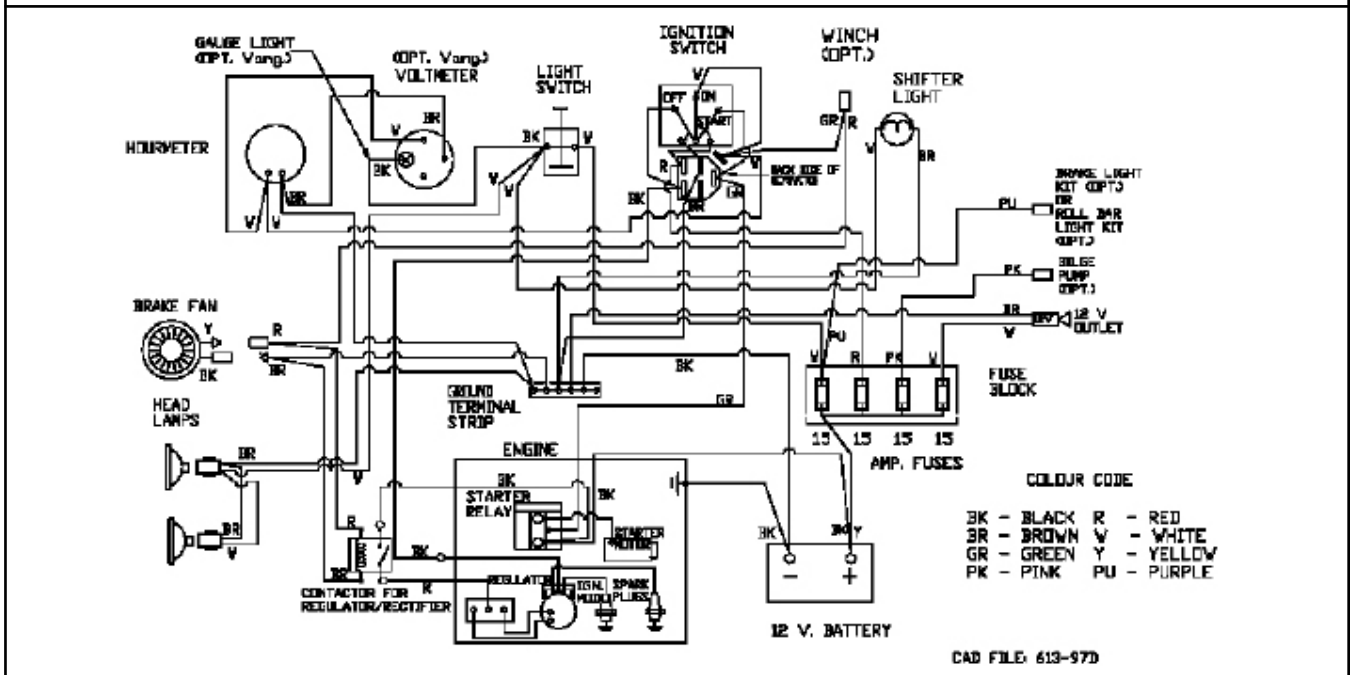
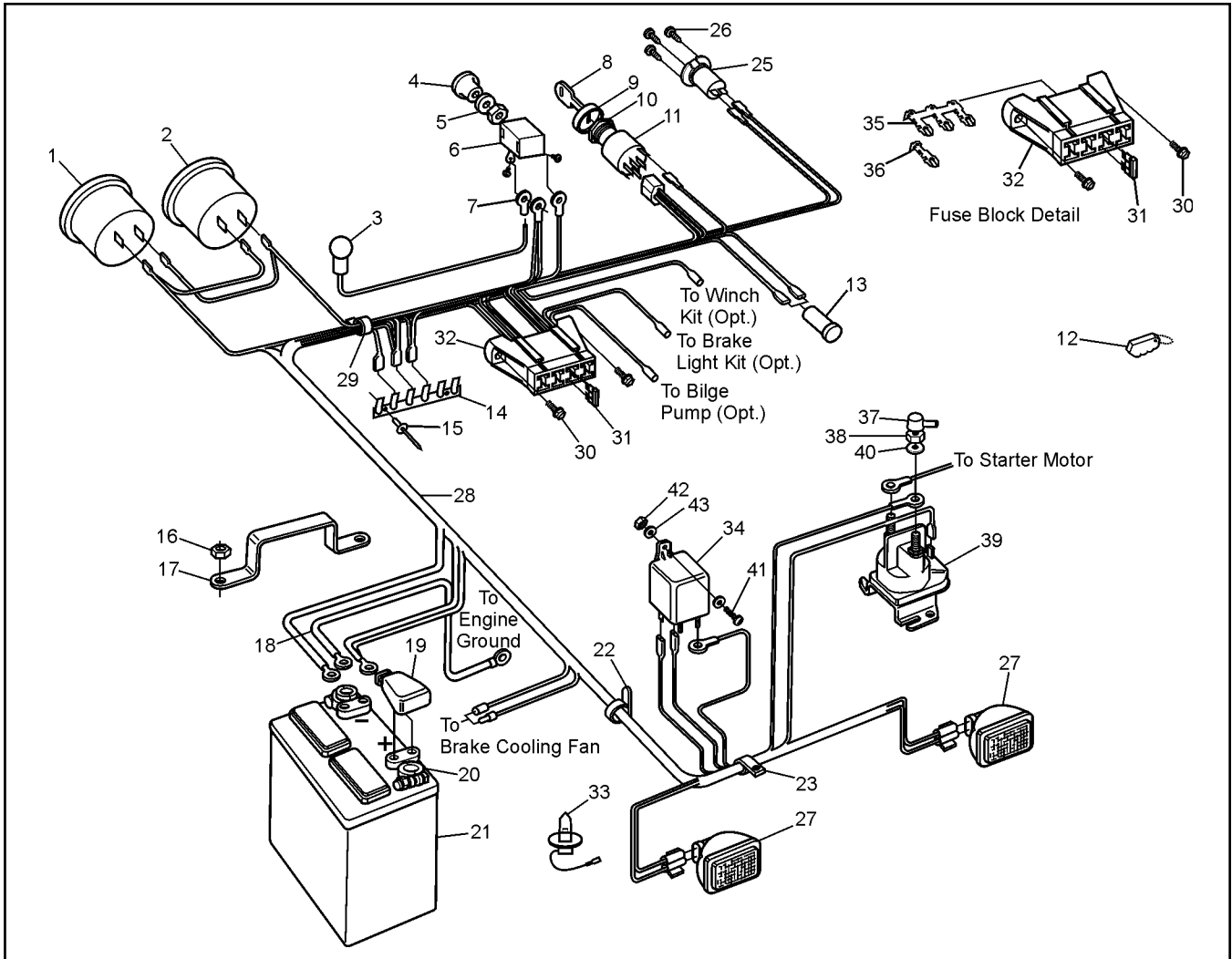
Ref.	Qty.	Part #	Description
1	1	806-00	Frame Asm - 8x8
2	2	606-24	Gasket - Bearing Extension
3	80	117-29	Locknut, Nylon 3/8-16 Zn
4	16	108-46	Washer .40x1.37x.12 Hi-Carbon
5	12	101-35	Bearing, Ball - 1.25
5a	8	101-41	Bearing, Ball - 1.0
6	82	108-15	Washer, .42x.81x.05 Zn
7	30	103-88	C/Bolt 3/8-16x1.0 Gr5 Zn
8	2	108-06	Lockwasher 3/8 Split Ring Zn
9	16	605-89	Gasket, Flange - Outer
10	20	605-63	Flange - 4 hole
11	8	102-14	Seal, Oil 1.25x1.75x0.188
12	8	102-15	Seal, Oil 1.25x1.874x0.25
13	8	605-97	Flange Asm, Outer (incl. Refs. 11 & 12)
14	24	112-39	C/Bolt 3/8-16x1.75 Gr5 Zn
15	8	112-134	C/Bolt 3/8-16 x 6.5 Zn
16	2	810-52	Bearing Extension (uses Refs. 17 & 18)
17	12	108-34	Washer 7/16 SAE Zn
18	12	103-81	HHCS 7/16-20x2.5 Gr5 Zn
19	5x8	103-80	Stud, Wheel 7/16-20x1.125 #B271
20	2 (*4)	810-73	Axle Asm - Front/Rear (incl. Ref. 19) (*on vehicles with optional rear bearing extensions)
21	6 (*4)	810-75	Axle Asm - Mid (incl. Ref. 19) (*on vehicles with optional rear bearing extensions)
22	2	810-59	Shaft, Idler - 11T
23	1	604-84	Frame Asm, Battery
24	6	810-28	Sprocket, Double - 24T
25	8	606-34	Sprocket, S60x19T
26	10	112-03	SHSS 5/16-18x3/8 1/2 DOG, PL
27	2	803-17	Chain, Idler RC50-2x40P (incl. Ref. 53)
28	4	117-64	Insert, 1/4-20
29	12	112-31	HHCS 3/8-16x1.0 2B Gr8 Zn
30	2	112-14	HHCS 3/8-16x.75 Gr5 Zn
31	1	108-15	Washer 3/8 SAE Zn
32	4	103-82	HHCS 3/8-16x1.5 Gr5 Zn
33	4	112-61	C/Bolt 3/8-16 x 1.25 Gr5 Zn
34	2	120-15	Rivet 1/8x7/16
35	1	126-11	Spring
36		127-80	Link, Half - RC60 - 1 (opt.)
37	4	101-80	Flange, Greaseable - 90 Degree
38	8	101-20	Flange, Greaseable - 4 hole
39	4	606-42	Slide, Chain - 1.25"
40	2	606-41	Slide, Chain - 2"
41	6	603-95	Spring Clip - RC50 Closed
42	6	603-96	Spring Clip - RC60 Closed
43	2	603-17	Chain, RC50-2 x 42P-Front (incl. Ref. 53)
44	2	603-20	Chain, RC50-2 x 70P-Mid (incl. Ref. 53)
45	4	603-93	Chain, RC60-1 x 84P-Rear (incl. Ref. 54)
46	5x8	117-35	Nut, Wheel 7/16-20 Zn
47	8	125-26	Valve, Tire
48	8	125-13C	Rim - Charcoal
49	8	126-96	Tire, Goodyear Runamuk 22x10-8
50	2	107-10	Retaining Ring, Sh-0125-PA
51	2	112-60	SHSS 1/4-28 x 1/2 Cup Pt.
52	6	100-01	Pin, Cotter 1/8x1.50 Zn
53	1x6	100-96	Con. Link, RC50-2 H.D.
54	1x4	603-84	Con. Link, RC60-1 H.D.
55	6	127-65	Spring Torsion - 1.16x0.35
56	6	606-39	Slider Block -1/2" Shaft
57	6	606-35	Tensioner Asm, Chain
58	6	127-64	Spring, Torsion - .76x1.9

# 9.0 Fuel System & Seat Assembly Response Parts Manual



# Response Parts Manual 9.0 Fuel System & Seat Assembly

Ref.	Qty.	Part #	Description
1	1	803-50	Handrail Assembly
2	10	108-03	Lockwasher, Split Ring 1/4" Zn
3	2	112-41	PHMS, PHIL 1/4-20x1.25 Zn
4	1	608-39	Back Pad Assembly
5	1	608-43	Seat, Bench
6	1	608-30	Angle, Left
7	1	608-31	Angle, Right
8	4	103-03	PHMS, Phil 1/4-20 x 1.50 Zn
9	10	112-04	HHCS 1/4-20 x 3/4 Gr2 Zn
13	1	804-17	Frame Assembly, Seat
16	2	120-04	Washer .195ID x .50OD x .08 Zn
17	1	608-32	Tool Box
18	1	608-86	Pickup, Fuel, 1/4" x 6.75" (see Ref. 19)
19	1	608-24	Tank, Fuel 32 litre (incl. Ref. 18)
20	2	112-79	Clamp, Hose 1/2" Black
21	1	608-42	Fuel Hose - 110"
23	2	100-12	Clamp, Gear 2.25" HF-36
24	1	125-94	Hose, Filler
25	1	126-47	Neck Assembly, Fuel
26	1	126-46	Cap, Fuel
27	1	127-21	Hose, Vent 86"
28	1	126-50	Male Connector, 1/4"
29	6	126-94	Clamp, Nylon Wire - 1/4" ID
31	12	117-10	Locknut, Nylon #10-24 Zn
33	4	126-93	Clamp, Nylon Wire - 1/2" ID
34	4	108-08	Washer, .28 x .62 x .04 Zn
35	3	120-09	Rivet 3/16x1
36	5	120-13	Rivet, 3/16 x 5/8
37	4	702-06	Foam Cushion
38	1	117-54	Locking PAL Nut, 1/2-20 Zn
39	12	112-07	RHMS 10-24 x 1.50 Zn
40	12	108-42	Washer .062x7/32x1.00 Zn
41	1	103-48	T/S PAN HD PHIL #10x5/8 A Zn



Ref.	Qty.	Part #	Description
1	1	632-15	Hourmeter #56458-10 (#876EM)
2	1	633-10	Voltmeter #07583-15 (#830EM)
3	2	634-10	Light Kit, #06215-00 5/8" dia.
4	1	126-76	Knob, Light
5	1	108-55	Lockwasher 7/16 Ext. Tooth
6	1	100-62	Switch, Light
7	1	118-30	Terminal, Eye - #10
8	2	127-108	Key, Molded
9	1	127-107	Cover, Nut
10	1	127-106	Nut, Flanged - Plastic
11	1	127-105	Switch - Ignition
12	1	681-00	FOB, Key - Floating
13	1	634-08	Light, Indicator
14	1	613-37	Terminal Strip, Ground
15	2	120-15	Rivet 1/8 x 7/16
16	2	117-21	Locknut, Nylon 5/16-18 Zn
17	1	604-52	Bracket, Battery Retaining
18	1	613-14	Ground Wire
19	1	127-55	Cap, Battery Terminal - Red
20	2	127-56	Terminal, Battery Post
21	1	127-54	Battery, Exide 45-60
22	8	100-64	Tie Wrap - 5.5" - Black
23	6	126-93	Clamp, Nylon Wire - 1/2" ID
24	1	127-154	Label, Fuse Panel (located on Guard, Belt Protect - see pg. 7)
25	1	613-90	Outlet, 12 V DC
26	3	112-139	#4 Phil Drive Oval Head Screw, Black
27	2	613-69	Headlamp, Halogen (incl. Ref. 33)
28	1	613-97	Wire Harness
29	7	127-24	Clamp, Nylon - 1" ID
30	2	112-51	Screw, IHWH T/C #10-24 x 5/8
31	4	118-49	Fuse, 15 A 2-prong (AT015)
32	1	118-60	Block Fuse - 8 position (4 fuse)
33	2	127-46	Bulb, Headlight - Halogen
34	1	613-98	Relay, 80 Amp
35	1	118-63	Terminal, Fuse - Triple
36	5	118-62	Terminal, Fuse - Single
37	1	613-45	Insulator, Terminal (6 ga.)
38	2	117-20	Nut, Fin. Hex 1/4-20 Zn
39	1	613-68	Starter Relay
40	1	108-03	Lockwasher 1/4 Zn
41	1	103-25	PHMS 10-24 x 3/4 Zn
42	1	117-10	Locknut, 10-24 N/I Zn
43	1	120-05	Washer .19 x .50 x .04 Zn

# **ARGO** Products Manufactured by:

## **Ontario Drive & Gear Limited**

220 Bergey Court

New Hamburg, Ontario

Canada N3A 2J5

Phone: (519) 662-2840

Fax: (519) 662-2421

[www.argoatv.com](http://www.argoatv.com)

**ODG** *Dedicated to quality and performance*